

# SALES AND ENGINEERING DATA

RATIO SERIES: **1:1**

FLUID PSIG RANGE: **10 - 120**

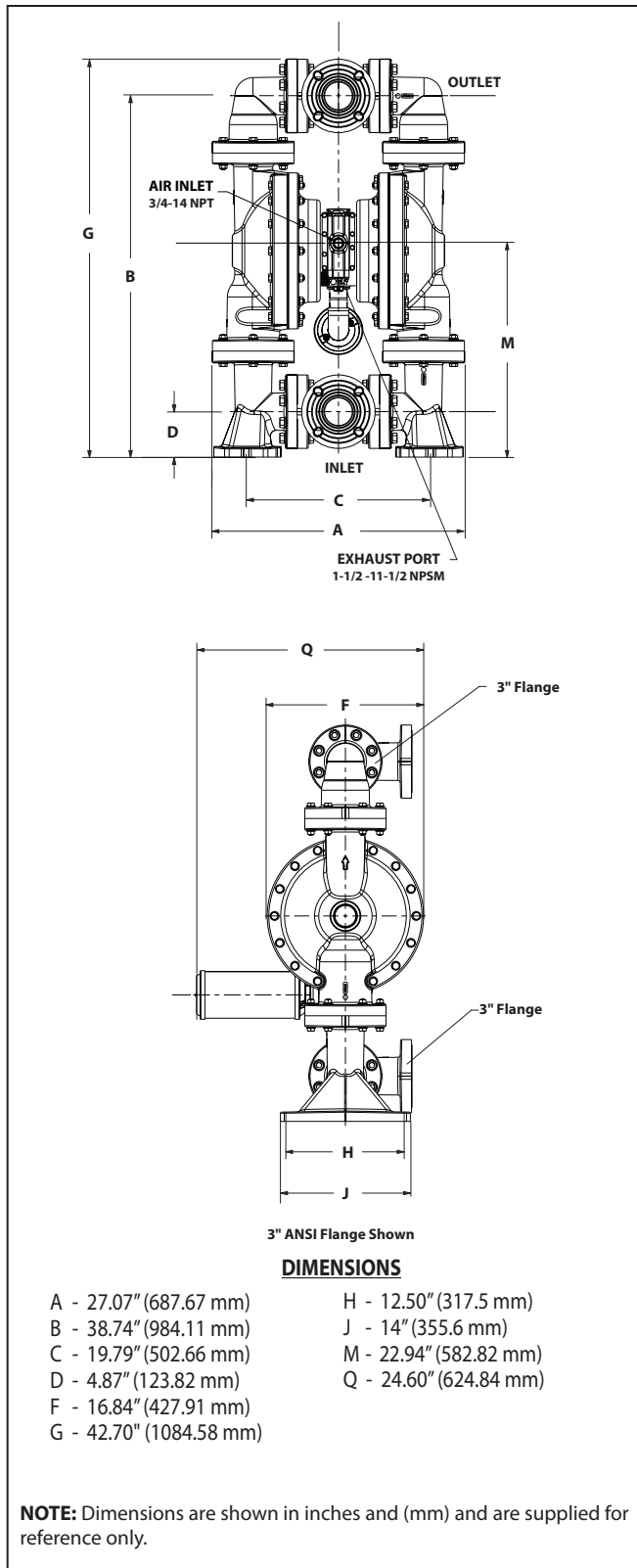
## PX30P-XXX-XXX-AXXX 3" NON-METALLIC DIAPHRAGM PUMP

RELEASED: 2-23-18

REVISED: 1-17-19

(REV: G) S-1604

### DIMENSIONAL DATA



### DIMENSIONS

A - 27.07" (687.67 mm)	H - 12.50" (317.5 mm)
B - 38.74" (984.11 mm)	J - 14" (355.6 mm)
C - 19.79" (502.66 mm)	M - 22.94" (582.82 mm)
D - 4.87" (123.82 mm)	Q - 24.60" (624.84 mm)
F - 16.84" (427.91 mm)	
G - 42.70" (1084.58 mm)	

### SPECIFICATIONS

#### CONSTRUCTION

Model Series	PD30P-FXS-XXX PE30P-FXS-XXX
Pump Type	Non-Metallic, Air Operated, Double Diaphragm
Ratio	1:1
Material Inlet / Outlet	3" ANSI / DIN Flange
Air Inlet (female)	3/4 - 14 NPT
Air Exhaust (female)	1-1/2 - 11-1/2 NPSM
Weight	PX30P-FKS-XXX ..... 242 lbs (109.77 kgs) PX30P-FPS-XXX ..... 170 lbs (77.11 kgs)
Air Section Service Kit	637369
Fluid Section Service Kits	637447-XX and 637447-XXX

#### PX30P-FXS-XXX

637447 - XXX - Seat Material (If applicable)  
Diaphragm Material  
Ball Material

EXAMPLE: Model #PD30P-FKS-KAA  
Fluid Section Service Kit is 637447-AA

#### PERFORMANCE

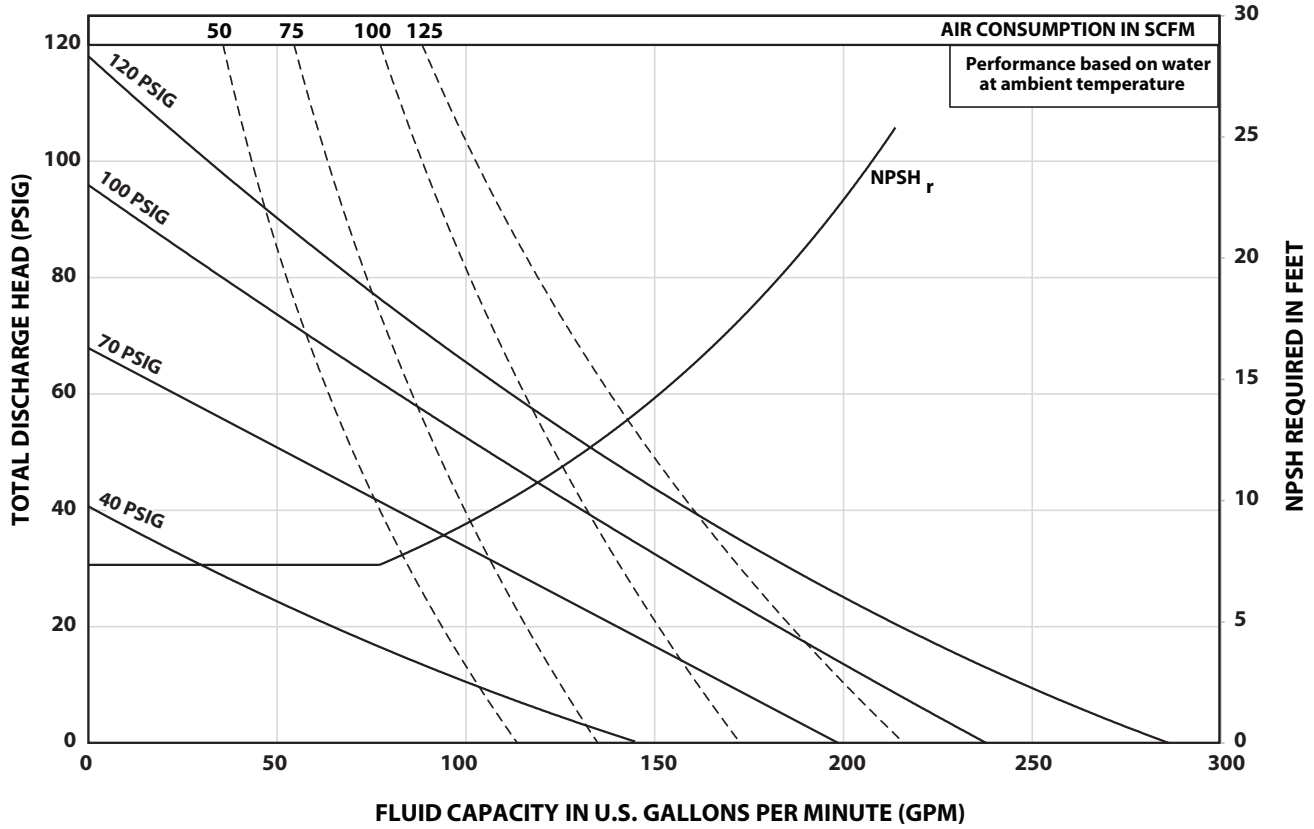
Air Inlet Pressure Range	20 - 120 psig (1.4 - 8.3 bar)
Maximum Material Inlet Pressure	10 psig (0.69 bar)
Fluid Outlet Pressure Range	20 - 120 psig (1.4 - 8.3 bar)
Maximum Flow Rate (flooded inlet)	285 gpm (1079 lpm)
Displacement / Cycle @ 100 psig	2.80 gal. (10.6 lit.)
Maximum Particle Size	3/8" dia. (9.5 mm)
Maximum Temperature Limits (diaphragm / ball / seal material)	
E.P.R./EPDM	-60° to 280° F (-51° to 138° C)
Hytrel®	-20° to 180° F (-29° to 82° C)
Nitrile	10° to 180° F (-12° to 82° C)
Polypropylene	32° to 175° F (0° to 79° C)
PVDF (Kynar®)	10° to 200° F (-12° to 93° C)
Santoprene®	-40° to 225° F (-40° to 107° C)
PTFE	40° to 225° F (4° to 107° C)
Viton®	-40° to 350° F (-40° to 177° C)
Noise Level @ 70 psig - 60 cpm <sup>①</sup>	85.3 dB(A) <sup>①</sup>

① The pump sound pressure level has been updated to an Equivalent Continuous Sound Level (LA<sub>eq</sub>) to meet the intent of ANSI S1. 13-1971, CAGI-PNEUROP S5.1 using four microphone locations.

- Hytrel® and Viton® are registered trademarks of the DuPont Company.
- Kynar® is a registered trademark of Arkema Inc.
- Santoprene® is a registered trademark of Monsanto Company, licensed to Advanced Elastomer Systems, L.P.

# PERFORMANCE CURVES

**PD30X-XXX-XXX-AXXX 3" NON-METALLIC DIAPHRAGM PUMP**



**PD30X-XXX-XXX-AXXX 3" NON-METALLIC DIAPHRAGM PUMP**

